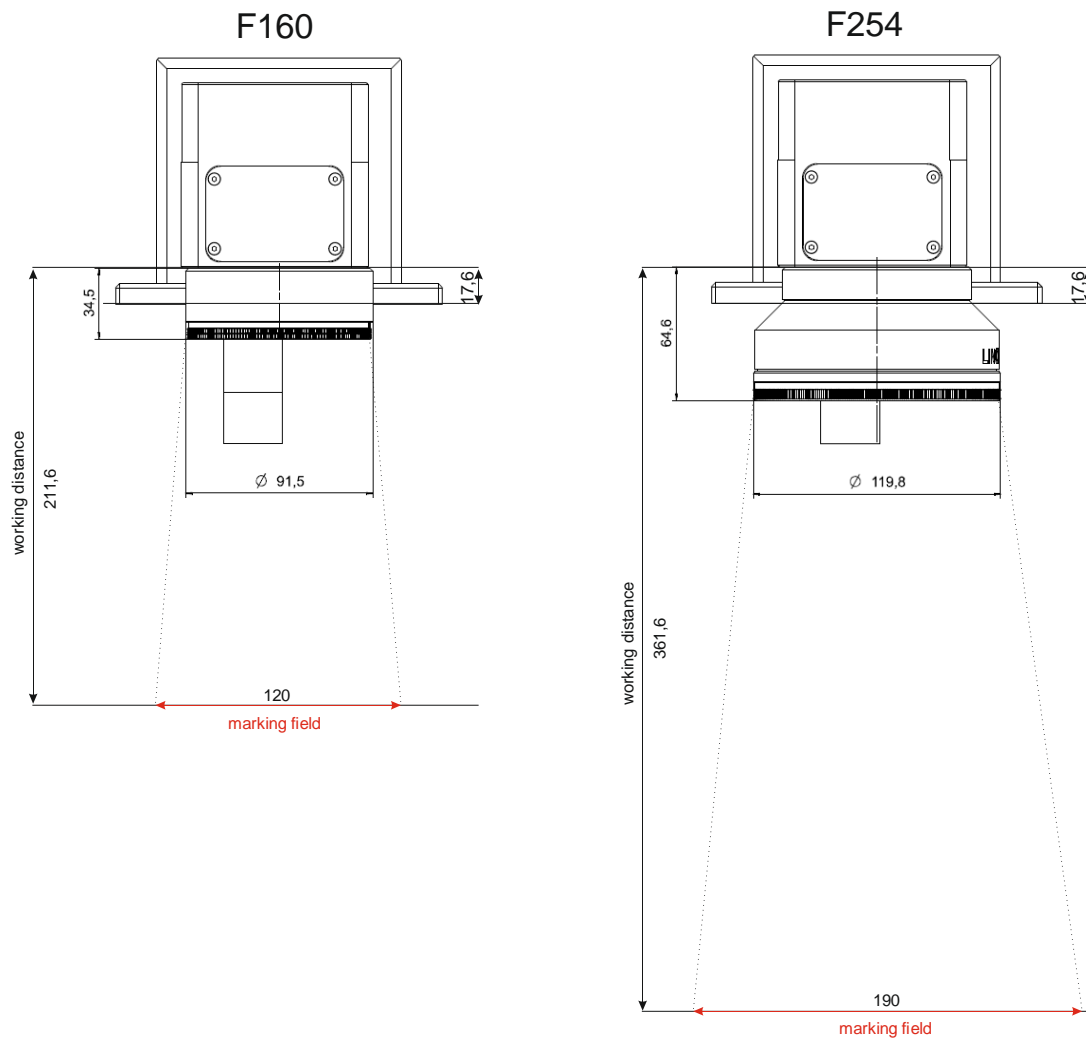


U50

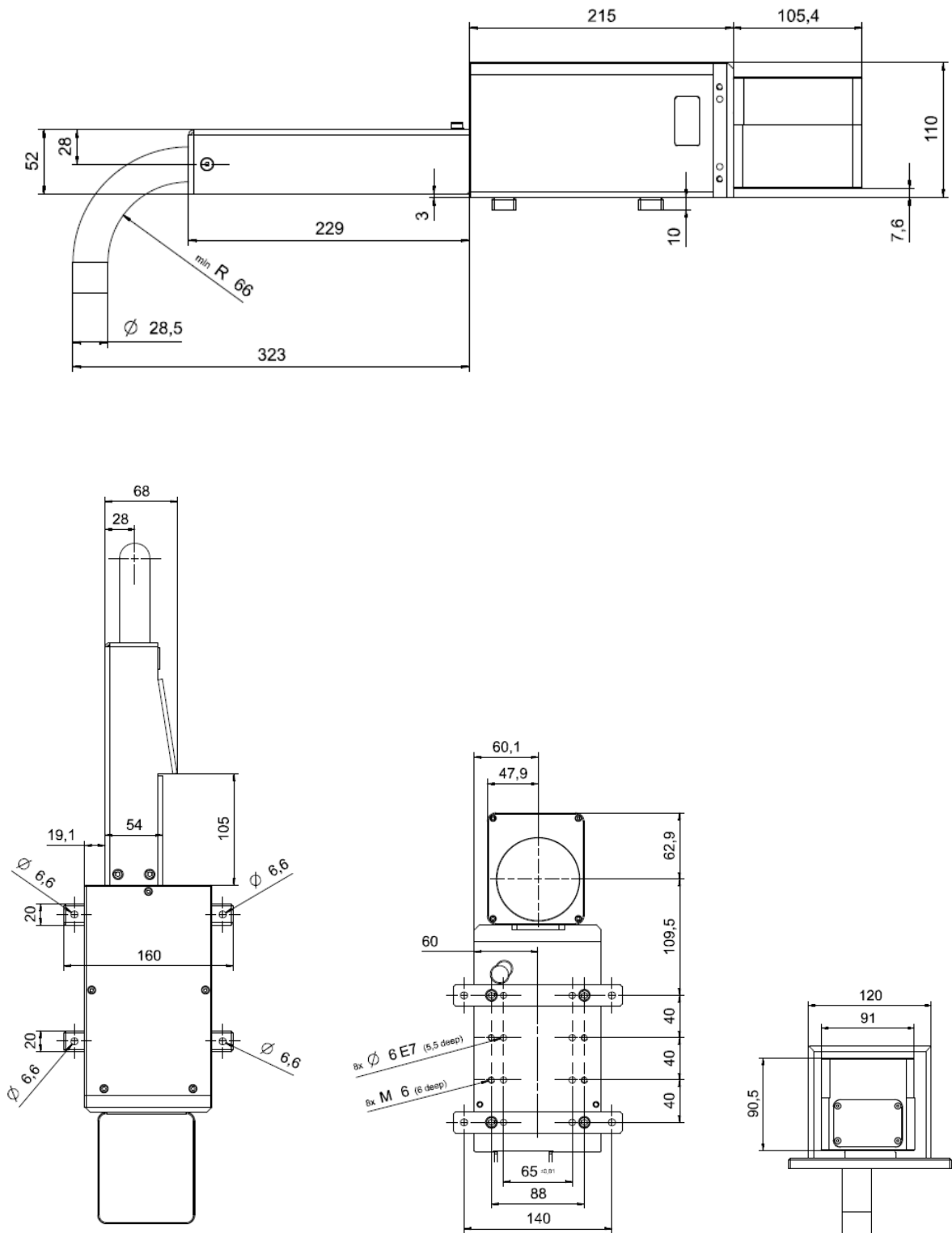
## Technical Data U50

Technical Data U50 Fiber (8021)		
	UM 0050 02F F160	UM 0050 02F F254
<b>Laser Head</b>		
Marking field XxY(mm)	120x120	190x190
Working distance (mm)	211,6	361,6
Spotdiameter at working distance(mm)	0,045	0,068
Marking resolution (mm)	0,002	0,003
Max. marking speed (m/sec)	6	9,5
Max. positioning speed (m/sec)	12	19
Norm	CDRH Lasersafety; Laserclass 4 with EC- Declaration of Incorporation According to Machine Directive 2006/42/EC, Annex II 1. B	
Software	UMark; Directmark Printerdriver	
Supported mono fonts	ISOCT, RomanS,SOKOL	
Supported fonts	all installed TrueTypeFonts	
Supported 1D barcodes	Australian Post; Codebar; Code 11; Code 128; Code 39; Code 93; DAFT; Deutsche Post; DPD; EAN-13; EAN-14; EAN-8; GS1; HIBC; ISBN; GS1; Pharmacode	
Supported 2D codes	Datamatrix; QR-Code; Aztec; Codeblock-F; GS1 Databar; HIBC; Maxi Code; PDF 417	
Supported image formats	BMP; JPG; DXF; PDF; EPS; PS; TSF; DWG;	
Laser source	Pulsed Yb-fiberlaser	
Beam quality	M <sup>2</sup> < 2	
Power stability	better ± 5 %	
Maximum pulse energy	1 mJ	
Maximum laser power	20W	
Wavelength (nm)	1064	
Pulse frequency (kHz)	20-60	
Pulse length (ns)	~100	
Focus and pilot laser	Diode laser λ = 650nm, Laser class 2; 1mW	
Cooling	passiv air cooled	
Cable length to rack	~ 2,5m	
Protection level	IP 54	
Weight without lense	~ 8kg	
<b>Laser Rack</b>		
Interfaces	Ethernet, Laser-Interlock, Marking-Start (24 VDC), Marking-Stop (24 VDC),E-Stop, Error-Reset, Laser-Busy	
Weight	20 kg	
Dimensions LxBxH	449x559x177	
Power supply	115 - 230V AC, 50/60Hz, 1/N/PE	
Maximum power consumption	Max. 500W	
Ambient conditions	Temperature range +15 to +35° C; Relative humidity max. 60 %. Non-condensing	
Cooling	active air cooled	
Protection level	IP 20	
Mini. recommended exhaust	Atmos Nano	
<b>System requirements</b>	Windows compatible PC at least 1GHz and Windows 10 with ethernet interface	
<b>Ambient conditions</b>		
Operation	Temperature range +15 to +35° C; Relative humidity max. 60 %. Non-condensing	
Storage	Temperature range +0 to +30° C; Relative humidity max. 60 %. Non-condensing	
Transport	Temperature range -10 to +40° C; Relative humidity max. 70 %. Non-condensing	

## U50 - laser marking head with lens configuration



U50 - laser marking head (without lens)



## Laser Rack

